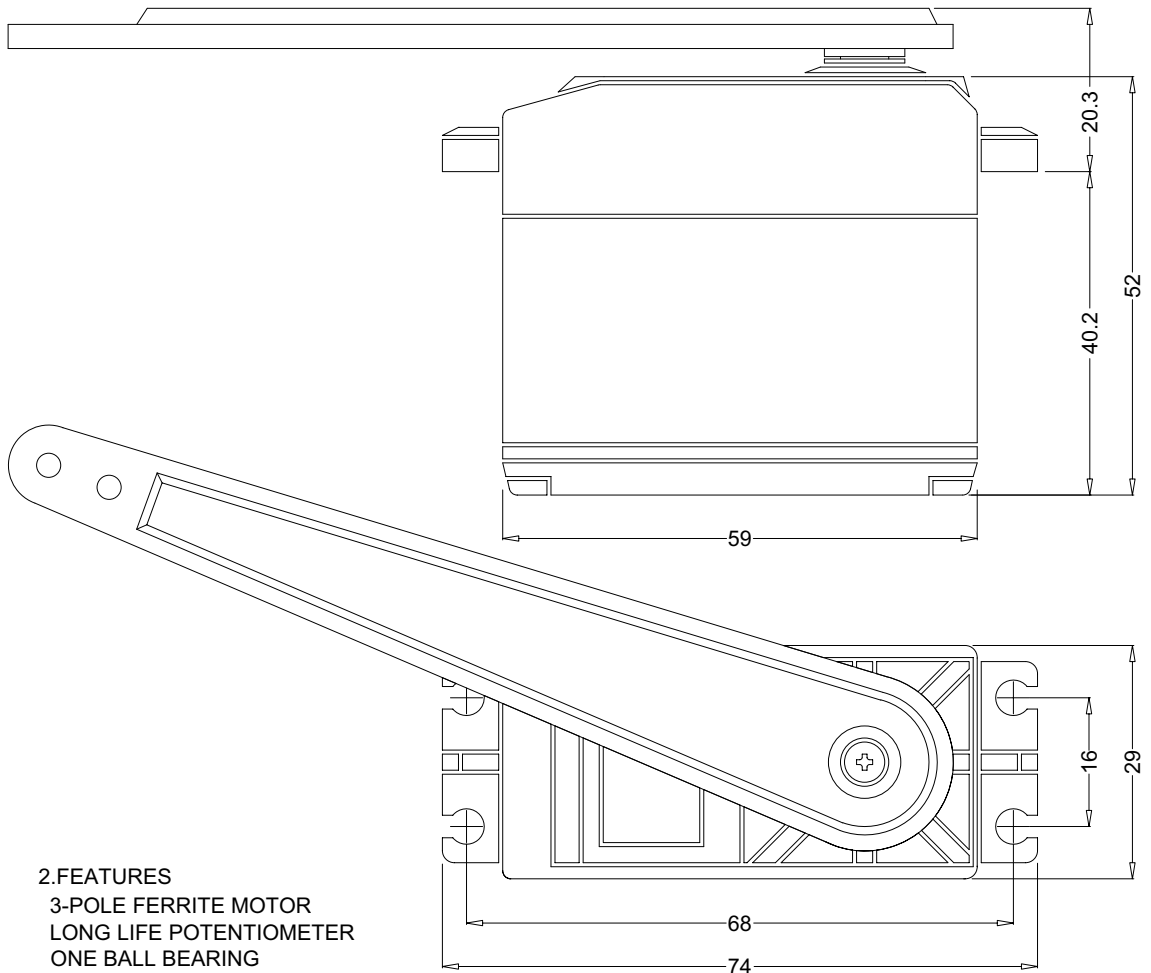


# ANNOUNCED SPECIFICATION OF HS-715BB 1/4 SCALE SAIL ARM 90° SERVO

## 1. TECHNICAL VALUES

CONTROL SYSTEM	: +PULSE WIDTH CONTROL 1500usec NEUTRAL	
OPERATING VOLTAGE RANGE	: 4.8V TO 6.0V	
OPERATING TEMPERATURE RANGE	: -20 TO +60° C	
TEST VOLTAGE	: AT 4.8V	AT 6.0V
OPERATING ANGLE	: 0.25sec/60° AT NO LOAD	0.19sec/60° AT NO LOAD
STALL TORQUE	: 11.6kg.cm(161.09oz.in)	14.5kg.cm(201.36oz.in)
OPERATING ANGLE	: 45°/ONE SIDE PULSE TRAVELING 400usec	
DIRECTION	: CLOCK WISE/PULSE TRAVELING 1500 TO 1900usec	
CURRENT DRAIN	: 8mA/IDLE AND 200mA/NO LOAD RUNNING	
DEAD BAND WIDTH	: 8usec	
CONNECTOR WIRE LENGTH	: 300mm(11.81in)	
DIMENSIONS	: 59x29x52mm(2.32x1.14x2.04in)	
WEIGHT	: 102g (3.59oz)	



## 2. FEATURES

- 3-POLE FERRITE MOTOR
- LONG LIFE POTENTIOMETER
- ONE BALL BEARING
- WATER & DUST TIGHT
- 108mm(4.25in) LONG ARM
- INDIRECT POTENTIOMETER DRIVE

## 3. APPLICATIONS

- SAILBOAT SAIL ARM SERVOS