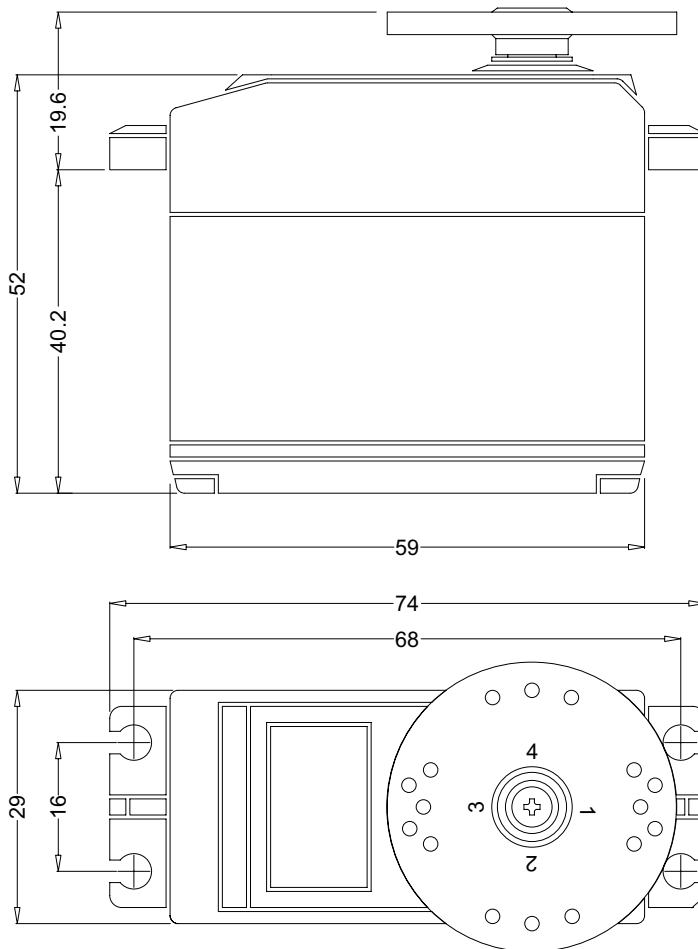


ANNOUNCED SPECIFICATION OF HS-700BB 1/4 SCALE SERVO

1. TECHNICAL VALUES

CONTROL SYSTEM	: +PULSE WIDTH CONTROL 1500usec NEUTRAL	
OPERATING VOLTAGE RANGE	: 4.8V TO 6.0V	
OPERATING TEMPERATURE RANGE	: -20 TO +60° C	
TEST VOLTAGE	: AT 4.8V	AT 6.0V
OPERATING SPEED	: 0.22sec/60° AT NO LOAD	0.17sec/60° AT NO LOAD
STALL TORQUE	: 10kg.cm(138.87oz.in)	12.5kg.cm(173.58oz.in)
OPERATING ANGLE	: 45°/ONE SIDE PULSE TRAVELING 400usec	
DIRECTION	: CLOCK WISE/PULSE TRAVELING 1500 TO 1900usec	
CURRENT DRAIN	: 8mA/IDLE AND 230mA/NO LOAD RUNNING	
DEAD BAND WIDTH	: 8usec	
CONNECTOR WIRE LENGTH	: 300mm(11.81in)	
DIMENSIONS	: 59x29x52mm(2.32x1.14x2.04in)	
WEIGHT	: 102g(3.59oz)	



2. FEATURES

3-POLE FERRITE MOTOR
 LONG LIFE POTENTIOMETER
 1-OILITE BUSHING & 1-BALL BEARING
 WATER & DUST TIGHT
 INDIRECT POTENTIOMETER DRIVE

3. APPLICATIONS

GIANT SCALE AIRCRAFT
 1/4 SCALE CARS
 LARGE SCALE BOATS