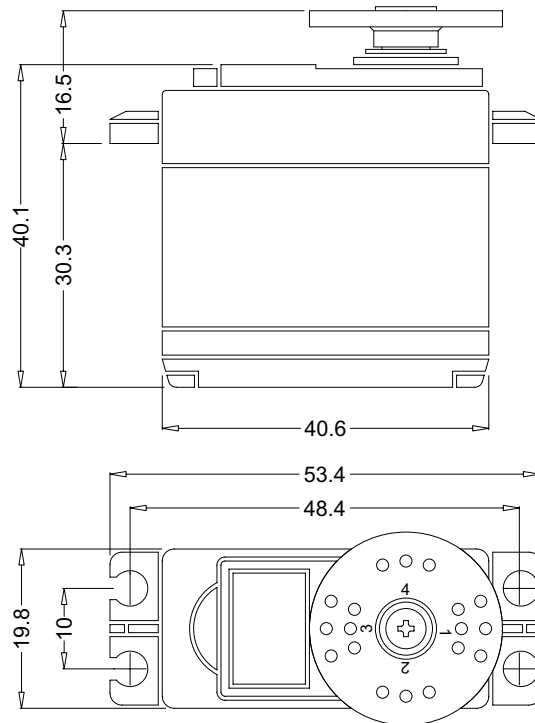


ANNOUNCED SPECIFICATION OF HS-605BB STANDARD DELUXE HIGH TORQUE SERVO

1. TECHNICAL VALUES

CONTROL SYSTEM	: +PULSE WIDTH CONTROL 1500usec NEUTRAL	
OPERATING VOLTAGE RANGE	: 4.8V TO 6.0V	
OPERATING TEMPERATURE RANGE	: -20 TO +60°C	
TEST VOLTAGE	: AT 4.8V	AT 6.0V
OPERATING SPEED	: 0.17sec/60° AT NO LOAD	0.13sec/60° AT NO LOAD
STALL TORQUE	: 5.5kg.cm(76.37oz.in)	6.8kg.cm(94.43oz.in)
OPERATING ANGLE	: 45°/ONE SIDE PULSE TRAVELING 400usec	
DIRECTION	: CLOCK WISE/PULSE TRAVELING 1500 TO 1900usec	
CURRENT DRAIN	: 8mA/IDLE AND 330mA/NO LOAD RUNNING	
DEAD BAND WIDTH	: 8usec	
CONNECTOR WIRE LENGTH	: 300mm(11.81in)	
DIMENSIONS	: 40.6x19.8x40.1mm(1.59x0.77x1.57in)	
WEIGHT	: 49g(1.72oz)	



2. FEATURES

- 3-POLE FERRITE MOTOR
- LONG LIFE POTENTIOMETER
- 2-HELICAL GEARS
- INDIRECT POTENTIOMETER DRIVE
- DUAL BALL BEARING
- HYBRID I.C

3. APPLICATIONS

- AIRCRAFT TO 1/4 SCALE
- 30 TO 60 HELICOPTERS
- STEERING AND THRITTLE FOR 1/10TH & 1/8TH ON-ROAD CARS
- TRUCKS AND BUGGY