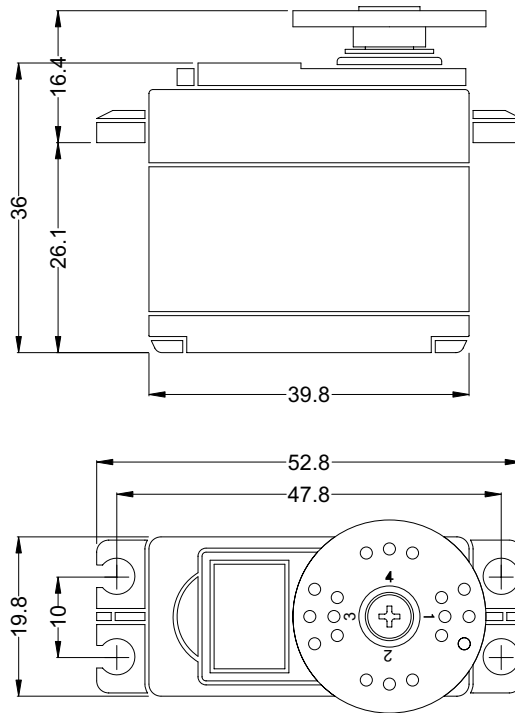


# ANNOUNCED SPECIFICATION OF HS-525MG STANDARD PRECISION METAL GEAR SERVO

## 1. TECHNICAL VALUES

CONTROL SYSTEM	:+PULSE WIDTH CONTROL 1500usec NEUTRAL	
OPERATING VOLTAGE RANGE	:4.8V TO 6.0V	
OPERATING TEMPERATURE RANGE	:-20° C TO +60° C	
TEST VOLTAGE	:AT 4.8V	AT 6.0V
OPERATING SPEED	:0.17sec/60° AT NO LOAD	0.13sec/60° AT NO LOAD
STALL TORQUE	:3.3kg.cm(45.82oz.in)	4.1kg.cm(56.93oz.in)
OPERATING ANGLE	:45°/ONE SIDE PULSE TRAVELING 400usec	
DIRECTION	:CLOCK WISE/PULSE TRAVELING 1500 TO 1900usec	
CURRENT DRAIN	:8mA/IDLE AND 250mA NO LOAD RUNNING	
DEAD BAND WIDTH	:6usec	
CONNECTOR WIRE LENGTH	:300mm (11.81in)	
DIMENSIONS	:39.8x19.8x36mm(1.56x0.77x1.41in)	
WEIGHT	:50.6g (1.78oz)	



## 2. FEATURES

- 5-POLE FERRITE MOTOR
- LONG LIFE POTENTIOMETER
- INDIRECT POTENTIOMETER DRIVE
- 1-OILITE BUSHING AND 1-BALL BEARING
- 3-METAL GEARS
- GOLD PLATED CONNECTOR PINS

## 3. APPLICATIONS

- PRECISION AIRCRAFT SERVO
- STEERING AND THROTTLE SERVO FOR 1/10TH ON-ROAD AND OFF-ROAD VEHICLES