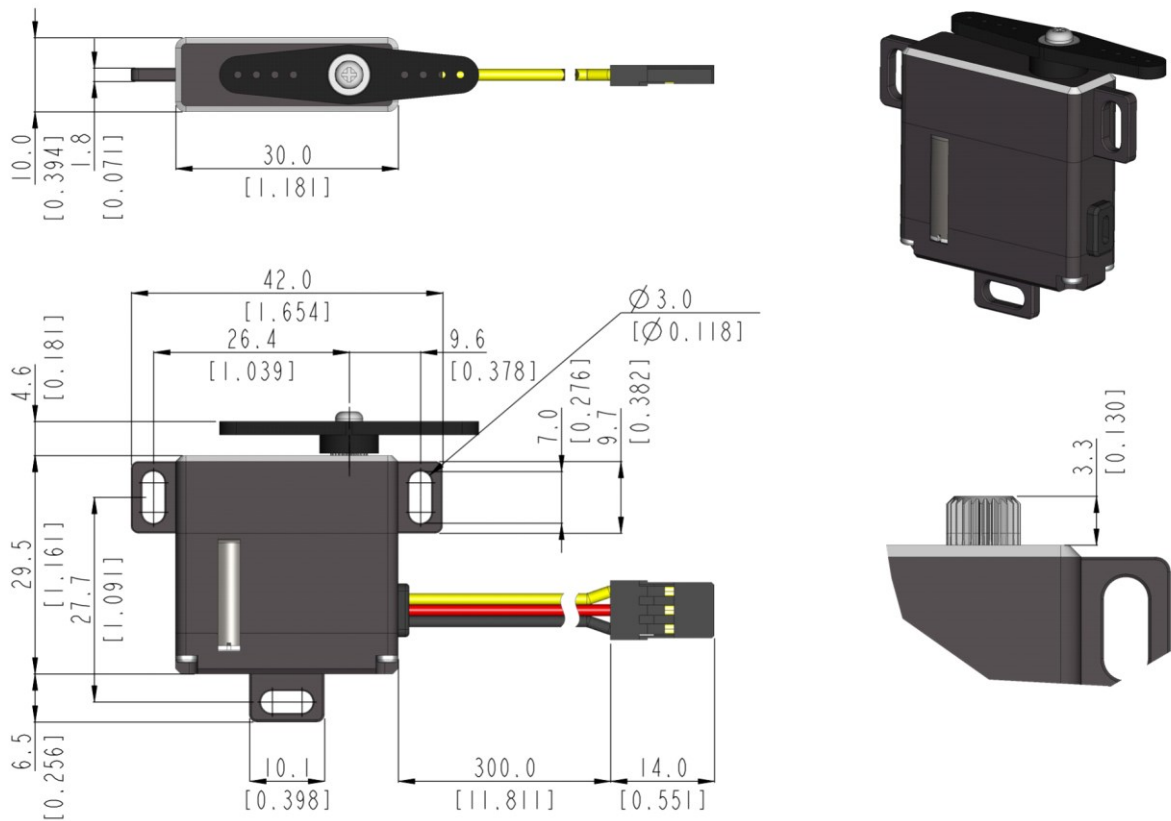


D141SH General Specification.



Control System	PWM/TTL(Half Duplex)		-
Position Sensor Type	Contact Analog Potentiometer		-
Motor Type	Coreless		At the Max voltage, it is recommended to be used only for a short time duration.
Operating Voltage Range	3.5 ~ 8.4V		
Voltage	-	6.0V	7.4V
No Load Speed	-	0.13sec/60°	0.10sec/60°
Stall Torque	-	5.7kgf-cm (79.16oz-in)	7.0kgf-cm (97.21oz-in)
Peak Efficiency Torque	-	1.1kgf-cm (15.83oz-in)	1.4kgf-cm (19.44oz-in)
Standing Current	-	30mA	30mA
No Load Running Current	-	130mA	160mA
Stall Current	-	2,000mA	2,500mA
Deadband	-	2μs	2μs
Operating Travel	Default: ±60°, Programmable: Max 175° / Pulse Width: 900~2100μs(Center:1500μs)		-
Continuous Rotation	n/a		-
Operating Temperature Range	-20°C ~ +60°C (-4°F ~ +140°F)		-
Storage Temperature Range	-30°C ~ +80°C (-31°F ~ +176°F)		-
Connector Wire Length	300mm (11.81inch)		 <ul style="list-style-type: none"> 1. SIGNAL 2. VCC 3. GND
Connector Wire Gauge	24AWG		
Dimensions	30.0mm x 10.0mm x 29.5mm (1.181inch x 0.394inch x 1.161inch)		General Tolerance ±0.1mm
Weight	26.0g (0.917oz)		Excluding the weight of Horn
Bearing Type	2 Ball Bearing		-
Case Material	Aluminum Alloy		-
Gear Material	1 Metal-Plastic & 4 Steel Gears		-
Gear Train Backlash	Max 0.5°		-
Horn Gear Spline	M25T(Ø5)		-
IP-Rating	IP4X		-
Servo Amplifier Type	32bit Programmable Digital		-



1:1 scale (Unit : mm[inch])

- This product should not be used directly on the human body for medical purposes.
- This product should not be used for war weapons.
- All specifications are subject to change without notice.

