

INTEGRATED POWER SYSTEM OPERATION MANUAL

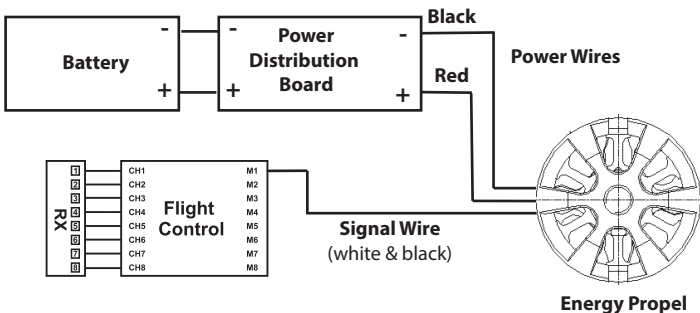
Introduction:

Thank you for purchasing Hitec's Energy Propel integrated Power System. Featuring a high performance, high efficiency brushless motor integrated with our Energy Rotor electronic speed control! This combination creates an easy straightforward installation and clean wiring layout for your multi-rotor

Connecting Your Motor:

1. Connect the power wires from the Motor to the power distribution board or battery.
2. Connect the signal cable to the flight controller according to the instruction.

Note: The red wire from the Motor should connect to the Positive + and black to the Negative (-) side of the Power Distribution Board.



Model	1806/18	2204/18	2206/18	2208/18	2212/20	2216/20
Stator Diameter	18 mm	22 mm	22 mm	22 mm	22 mm	22 mm
Stator Thickness	6 mm	5 mm	7 mm	8 mm	12 mm	16 mm
Number of Poles	12N 14P	12N 14P	12N 14P	12N 14P	12N 14P	12N 14P
KV Rating	2300 KV	2300 KV	2200 KV	1900 KV	1000 KV	900 KV
Resistance	0.161Ω	0.091Ω	0.047Ω	0.051Ω	0.119Ω	0.161Ω
Idle Current	0.41A	0.73A	0.96A	0.86A	0.44A	0.55A
Maximum Watts	180W	160W	200W	220W	320W	370W
Input Voltage	2-3S LiPo	2-3S LiPo	2-3S LiPo	2-4S LiPo	2-4S LiPo	2-4S LiPo
Shaft Diameter	M5x11mm	M5x11mm	M5x11mm	M5x11mm	M5x11mm	M5x11mm
ESC Cont. Current	18 Amps	18 Amps	18 Amps	18 Amps	20 Amps	20 Amps
ESC Burst. Current	28 Amps	28 Amps	28 Amps	28 Amps	28 Amps	28 Amps
Recommended Prop Size	3 - 5 in	5 - 6 in	5 - 6 in	5 - 6 in	8 - 10 in	9 - 11 in
Weight	35 g	33.5 g	40.5 g	42.5 g	53.5 g	65.5 g

ONE YEAR LIMITED WARRANTY:

For a period of two years from the date of purchase HITEC RCD USA, INC. shall REPAIR OR REPLACE, at our option, defective equipment covered by this warranty, otherwise the purchaser and/or consumer is responsible for any charges for the repair or replacement of the product. This warranty does not cover cosmetic damages and damages due to acts of God, accident, misuse, abuse, negligence, improper installation, or damages caused by alterations by unauthorized persons or entities. This warranty only applies to the original purchaser of this product and for products purchased and used in the United States of America, Canada and Mexico. For more information regarding this warranty visit us on the web at www.hitecrd.com or contact us @ service.hitecrd.com

Hitec RCD USA, Inc., Customer Service Center, 12115 Paine St., Poway CA 92064

(858) 748-6948